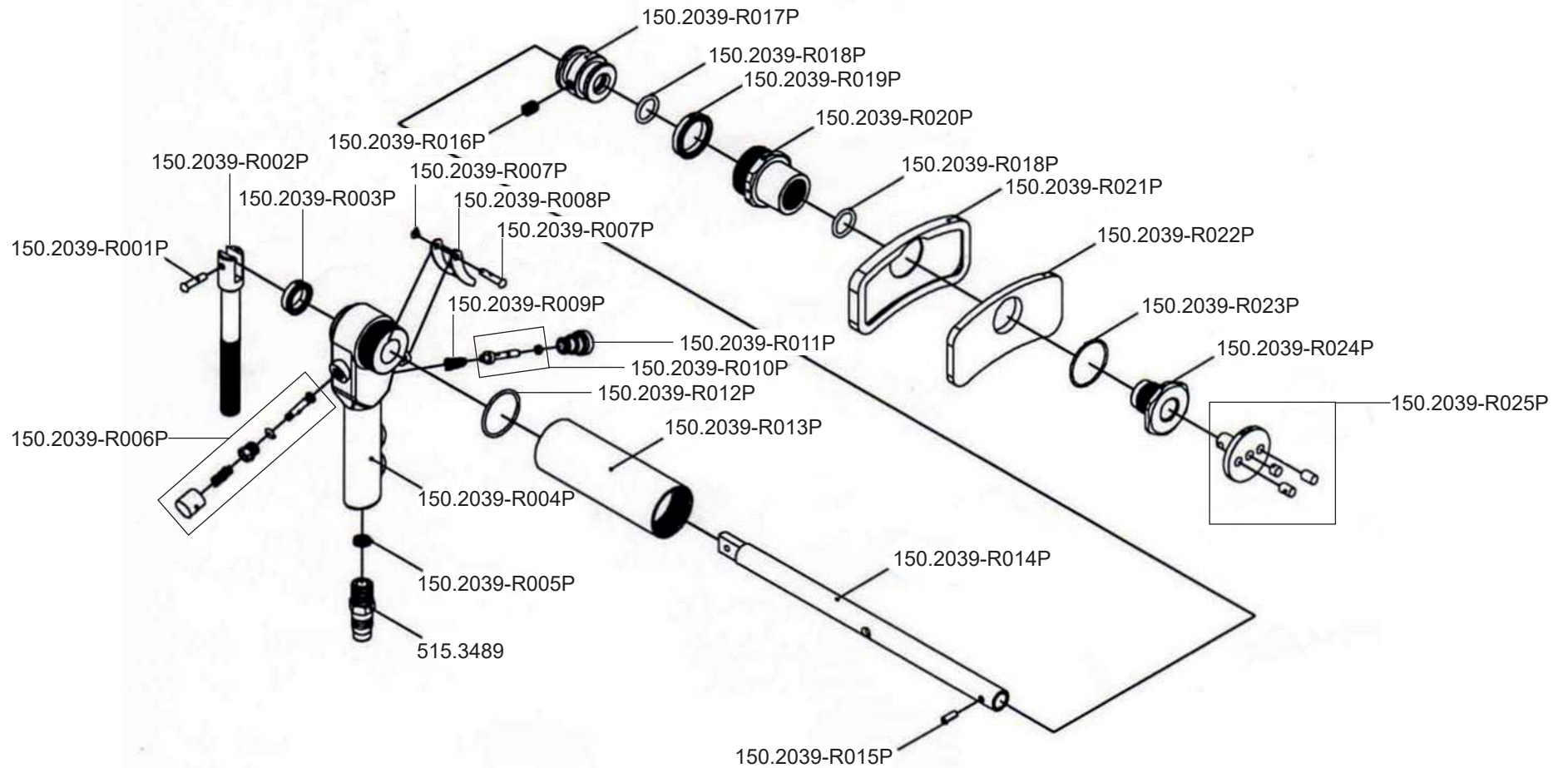


Art. 150.2039



Art. 150.2039

| Art.-Nr. | Description | Beschreibung | Menge Qty. |
|----------------|--|--|------------|
| 515.1489 | Air inlet connector, male thread, 1/4" | Messing-Stecknippel m.Außengew.10x13mm | 1 |
| 150.2039-R001P | Rivet | Niete | 1 |
| 150.2039-R002P | Handle | Griff | 1 |
| 150.2039-R003P | Seal | Dichtung | 1 |
| 150.2039-R004P | Housing | Gehäuse | 1 |
| 150.2039-R005P | Filter gauze | Filter | 1 |
| 150.2039-R006P | Valve | Ventil | 1 |
| 150.2039-R007P | Rivet | Niete | 1 |
| 150.2039-R008P | Trigger | Betätigung | 1 |
| 150.2039-R009P | Spring | Feder | 1 |
| 150.2039-R010P | Valve with o-ring | Ventil mit O-Ring | 1 |
| 150.2039-R011P | Screw | Schraube | 1 |
| 150.2039-R012P | O-Ring | O-Ring | 1 |

| Art.-Nr. | Description | Beschreibung | Menge Qty. |
|----------------|--------------------|-------------------|------------|
| 150.2039-R013P | Housing tube | Gehäuserohr | 1 |
| 150.2039-R014P | Shaft | Welle | 1 |
| 150.2039-R015P | Pin | Splint | 1 |
| 150.2039-R016P | Nut | Mutter | 1 |
| 150.2039-R017P | Piston | Kolben | 1 |
| 150.2039-R018P | O-Ring | O-Ring | 2 |
| 150.2039-R019P | Seal | Dichtung | 1 |
| 150.2039-R020P | Housing front | Gehäusering | 1 |
| 150.2039-R021P | Rubber cover | Gummiummantelung | 1 |
| 150.2039-R022P | Plate | Gegenhalterplatte | 1 |
| 150.2039-R023P | O-Ring | O-Ring | 1 |
| 150.2039-R024P | Piston guide | Kolbenführung | 1 |
| 150.2039-R025P | Adapter attachment | Adaptieraufnahme | 1 |