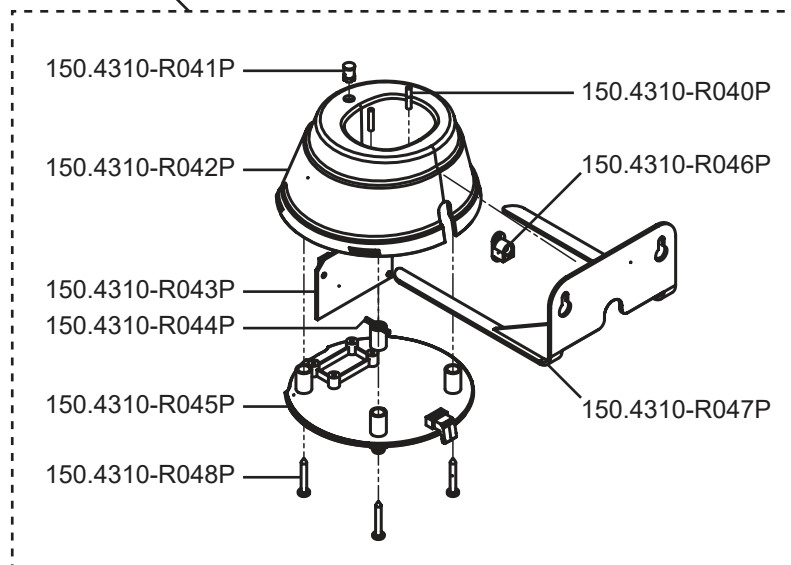


150.4310-R001P



Art.-Nr.	Description	Beschreibung	Menge / Qty.
150.4310-R001P	Entire charging base, without cords	Ladeschale komplett, ohne Kabel	1
150.4310-R002P	AC power cord	Netzadapter	1
150.4310-R003P	DC charger lead	KFZ-Ladekabel	1
150.4310-R004P	Frontal cover	Frontabdeckung	1
150.4310-R005P	Aluminium panel	Aluminiumverkleidung	1
150.4310-R006P	Lens	Linse	1
150.4310-R007P	Screw ST2.5x6.5 C	Schraube ST2.5x6.5 C	2
150.4310-R008P	Reflector	Reflektor	1
150.4310-R009P	LED board	LED-Platine	1
150.4310-R010P	Heatsink	Kühlkörper	1
150.4310-R011P	Hexagon socket head screw M5x12	Innensechskantschraube M5x12	2
150.4310-R012P	Washer	Dichtung	4
150.4310-R013P	Screw ST2.2x9.5 F	Schraube ST2.2x9.5 F	6
150.4310-R014P	Retaining cover	Abdeckung für Halterung	1
150.4310-R015P	Screw ST2.9x13 F	Schraube ST2.9x13 F	4
150.4310-R016P	Hook	Haken	1
150.4310-R017P	Screw ST2.2x4.5 F	Schraube ST2.2x4.5 F	2
150.4310-R018P	Back cover	Hintere Abdeckung	1
150.4310-R019P	Control joined wire	Kontrollverbindungskabel	1
150.4310-R020P	Rotative disc	Rotierende Scheibe	2
150.4310-R021P	Steel ball	Stahlkugel	2
150.4310-R022P	Screw ST3.0x10 F	Schraube ST3.0x10 F	4
150.4310-R023P	Crimpled pin	Verbindungsstift	1
150.4310-R024P	Handle	Halter	1
150.4310-R025P	Pin	Pin	1
150.4310-R026P	Screw ST2.5x13 F	Schraube ST2.5x13 F	1
150.4310-R027P	Protection sticker	Aufkleber	1
150.4310-R028P	Rubber liner	Gummieinlage	1
150.4310-R029P	Switch control board	Steuerschalter	1
150.4310-R030P	Charging joined wire	Verbindungskabel	1
150.4310-R031P	Battery	Akku	1
150.4310-R032P	Rubber cushion	Gummipolster	1
150.4310-R033P	Nut M4	Gewindemutter M4	1
150.4310-R034P	Bottom cover	Abschlussplatte	1
150.4310-R035P	Screw ST2.9x30 F	Schraube ST2.9x30 F	4
150.4310-R036P	Cuprum stick	Kontaktstift	2
150.4310-R037P	Screw M4x16	Schraube M4x16	1
150.4310-R038P	Magnet	Magnet	1
150.4310-R039P	Protecting disc	Schutzscheibe	1
150.4310-R040P	Charging pin	Ladekontaktpin	2
150.4310-R041P	Lamp cover	Lampenabdeckung	1
150.4310-R042P	Top cover	Deckel	1
150.4310-R043P	Charging control board with LED	Platine mit LED	1
150.4310-R044P	Connecting wire	Verbindungskabel	1
150.4310-R045P	Bottom cover	Bodenabdeckung	1
150.4310-R046P	Charging socket with cable	Ladebuchse mit Kabel	1
150.4310-R047P	Support frame (optional)	Wandhalterung (optional)	1
150.4310-R048P	Screw ST3.5x25 F	Schraube ST3.5x25 F	4