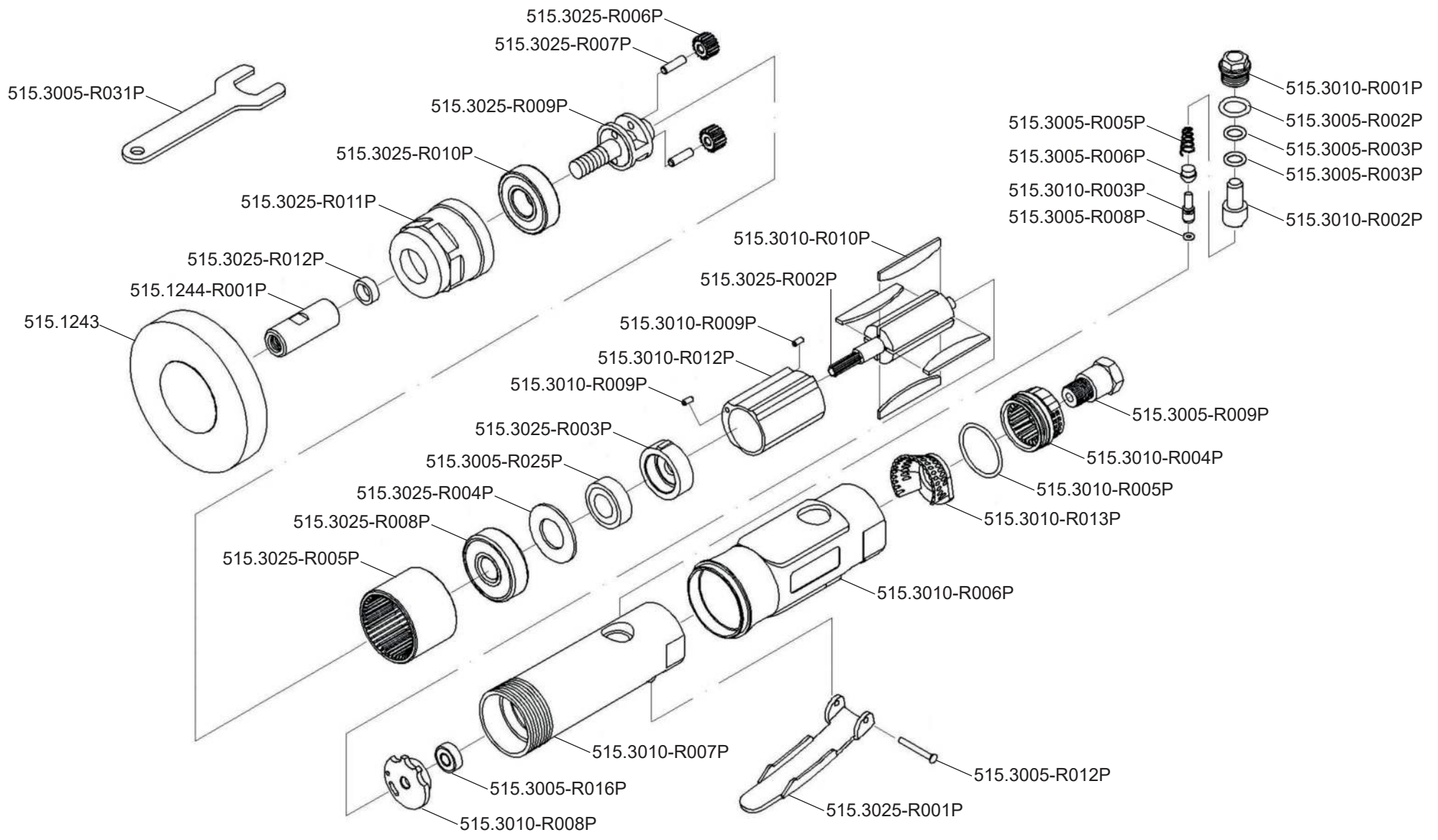


Art. 515.1244



Art. 515.1244

| Art.-Nr. | Description | Beschreibung | Menge Qty. |
|----------------|---------------------------|------------------------------|------------|
| 515.1244-R001P | Eraser shaft | Radierscheibenaufnahme | 1 |
| 515.3005-R002P | O-Ring for setscrew (P12) | O-Ring P12 für Stellschraube | 1 |
| 515.3005-R003P | O-Ring for setscrew (P8) | O-Ring P8 für Stellschraube | 2 |
| 515.3005-R005P | Spring for setscrew | Feder für Stellschraube | 1 |
| 515.3005-R006P | Valve stem bushing | Ventilbuchse | 1 |
| 515.3005-R008P | O-Ring (3.5*1.4) | O-Ring (3.5*1.4) | 1 |
| 515.3005-R009P | Air inlet | Lufteinlass | 1 |
| 515.3005-R012P | Pin for leven | Splint für Abzug | 1 |
| 515.3005-R016P | Bearing (696ZZ) | Kugellager (696ZZ) | 1 |
| 515.3005-R025P | Bearing (608ZZ) | Kugellager (608ZZ) | 1 |
| 515.3005-R031P | Spanner 14mm | Schlüssel 14mm | 1 |
| 515.3010-R001P | Setscrew | Stellschraube | 1 |
| 515.3010-R002P | Air regulator | Lufteinlassregulierung | 1 |
| 515.3010-R003P | Valve stem | Ventilstift | 1 |
| 515.3010-R004P | Exhaust sleeve | Abluffführung | 1 |
| 515.3010-R005P | O-Ring (26.7*1.78) | O-Ring (26.7*1.78) | 1 |
| 515.3010-R006P | Protection rubber | Gummischutzhülle | 1 |
| 515.3010-R007P | Housing | Gehäuse | 1 |
| 515.3010-R008P | Rear rotor plate | Hintere Rotoraufnahme | 1 |

| Art.-Nr. | Description | Beschreibung | Menge Qty. |
|----------------|----------------------------------|---------------------------------------|------------|
| 515.3010-R009P | Spring pin | Splint | 2 |
| 515.3010-R010P | Rotor blade | Rotorblatt | 4 |
| 515.3010-R012P | Rotor housing | Rotorgehäuse | 1 |
| 515.3010-R013P | Cone muffler | Innenring Dämpfer | 1 |
| 515.3025-R001P | Lever | Abzug | 1 |
| 515.3025-R002P | Rotor | Rotor | 1 |
| 515.3025-R003P | Front bearing plate | Vordere Kugellageraufnahme | 1 |
| 515.3025-R004P | Guiding ring | Führungsring | 1 |
| 515.3025-R005P | Threaded ring for planetary gear | Gewindeaußenring für Planetengetriebe | 1 |
| 515.3025-R006P | Planetary gear | Planetengetriebezahnrad | 2 |
| 515.3025-R007P | Pin for planetary gear | Stift für Planetengetriebezahnrad | 2 |
| 515.3025-R008P | Bearing (6001Z) | Kugellager (6001Z) | 1 |
| 515.3025-R009P | Drive unit | Antriebseinheit | 1 |
| 515.3025-R010P | Bearing (620ZZ) | Kugellager (6200ZZ) | 1 |
| 515.3025-R011P | Housing nut | Gehäuseverschraubung | 1 |
| 515.3025-R012P | Guiding ring | Führungsring | 1 |