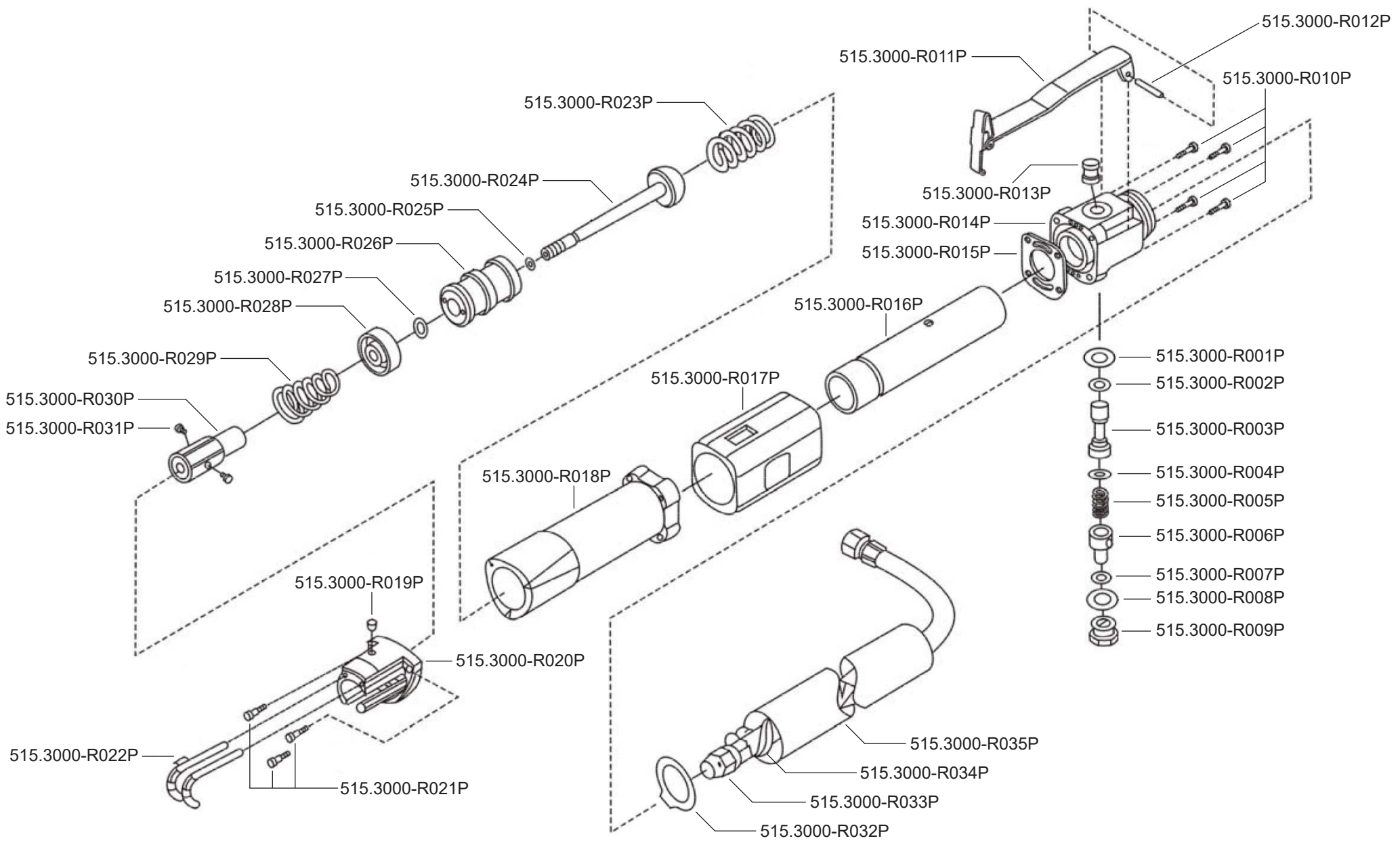


Art. 515.3000



**Art. 515.3000**

| Art.-Nr.       | Description          | Beschreibung                | Menge Qty. |
|----------------|----------------------|-----------------------------|------------|
| 515.3000-R001P | O-Ring               | O-Ring                      | 1          |
| 515.3000-R002P | O-Ring P006          | O-Ring P006                 | 1          |
| 515.3000-R003P | Valve stem           | Ventilstift                 | 1          |
| 515.3000-R004P | O-Ring P5            | O-Ring P5                   | 1          |
| 515.3000-R005P | Valve spring         | Ventilfeder                 | 1          |
| 515.3000-R006P | Air regulator        | Luftregulierung             | 1          |
| 515.3000-R007P | O-Ring P6            | O-Ring P6                   | 1          |
| 515.3000-R008P | O-Ring P11           | O-Ring P11                  | 1          |
| 515.3000-R009P | Valve cap            | Ventilkappe                 | 1          |
| 515.3000-R010P | Rear housing screw   | Hintere Gehäuseschrauben    | 4          |
| 515.3000-R011P | Lever                | Betätigungshebel            | 1          |
| 515.3000-R012P | Spring pin for lever | Splint für Betätigungshebel | 1          |
| 515.3000-R013P | Valve bushing        | Ventilbuchse                | 1          |
| 515.3000-R014P | Valve housing        | Ventilgehäuse               | 1          |
| 515.3000-R015P | Housing gasket       | Gehäusedichtung             | 1          |
| 515.3000-R016P | Piston cylinder      | Pleuelzylinder              | 1          |
| 515.3000-R017P | Grip rubber          | Griffgummierung             | 1          |
| 515.3000-R018P | Main housing         | Gehäuse                     | 1          |
| 515.3000-R019P | Set screw M4x3mm     | Stellschraube M4x3mm        | 1          |

| Art.-Nr.       | Description             | Beschreibung                    | Menge Qty. |
|----------------|-------------------------|---------------------------------|------------|
| 515.3000-R020P | Head housing            | Gehäusekopf                     | 1          |
| 515.3000-R021P | Housing screw M3x-12mm  | Gehäuseschrauben M3x-12mm       | 3          |
| 515.3000-R022P | Guiding bar             | Führungsbügel                   | 1          |
| 515.3000-R023P | Rear cushion spring     | Hintere Dämpfungsfeder          | 1          |
| 515.3000-R024P | Piston rod              | Pleuel                          | 1          |
| 515.3000-R025P | Piston rod o-ring       | O-Ring für Pleuel               | 1          |
| 515.3000-R026P | Piston                  | Kolben                          | 1          |
| 515.3000-R027P | O-Ring                  | O-Ring                          | 1          |
| 515.3000-R028P | Operate piston          | Arbeitskolben                   | 1          |
| 515.3000-R029P | Front cushion spring    | Vordere Dämpfungsfeder          | 1          |
| 515.3000-R030P | Saw blade holder        | Sägeblatthalterung              | 1          |
| 515.3000-R031P | set screw for saw blade | Stellschraube für Sägeblatt     | 2          |
| 515.3000-R032P | Spring clamp            | Federschelle                    | 1          |
| 515.3000-R033P | Air hose with coupling  | Druckluftschlauch mit Anschluss | 1          |
| 515.3000-R034P | Muffler sponge          | Abluftdämpfer                   | 1          |
| 515.3000-R035P | Exhaust hose            | Abluftschlauch                  | 1          |