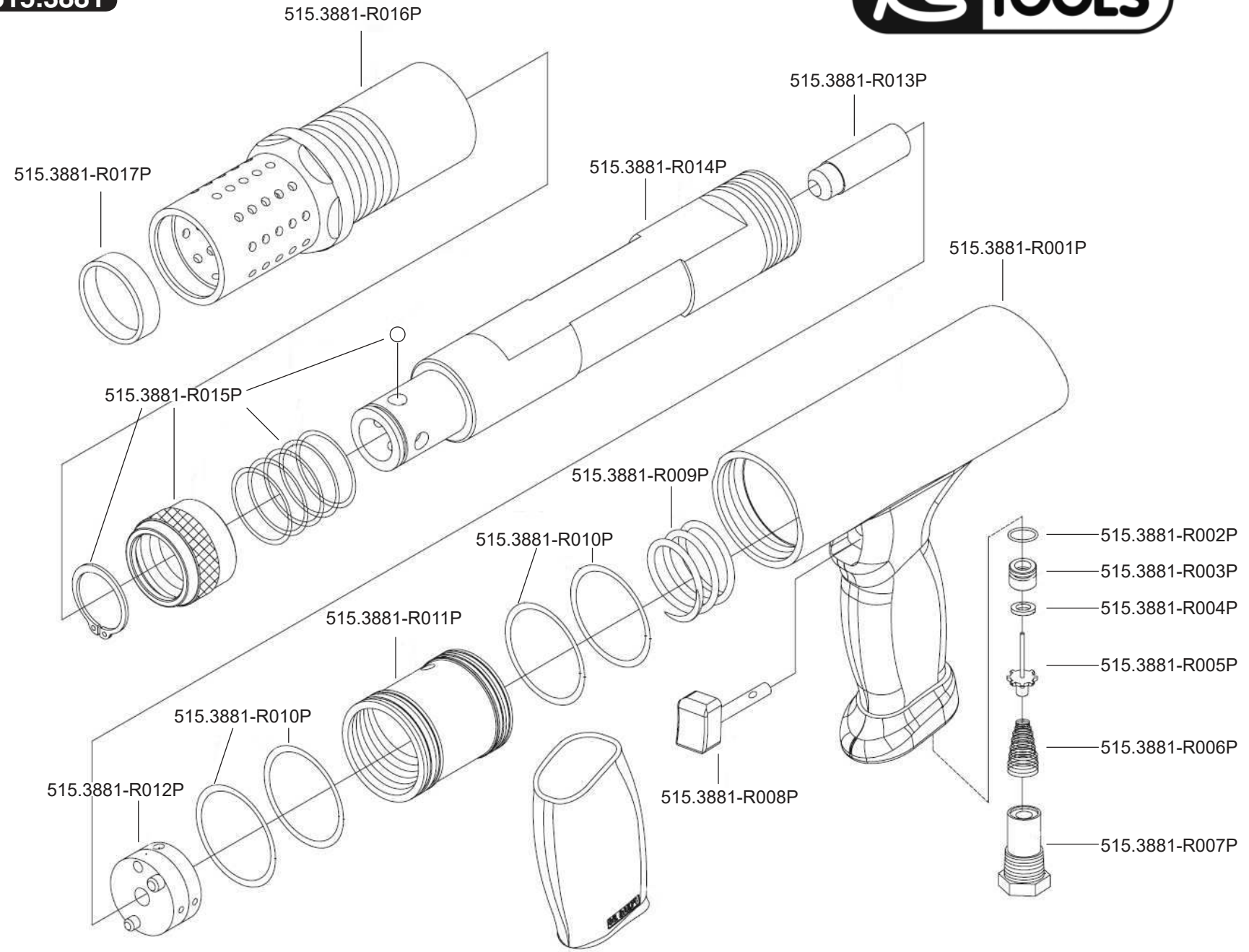


Art. 515.3881



**Art. 515.3881**

| Art.-Nr.       | Description                    | Beschreibung                     | Menge Qty. |
|----------------|--------------------------------|----------------------------------|------------|
| 515.3881-R001P | Housing with rubber grip       | Gehäuse mit Griffgummierung      | 1          |
| 515.3881-R002P | O-Ring for valve               | O-Ring für Ventil                | 1          |
| 515.3881-R003P | Valve bushing                  | Ventilbuchse                     | 1          |
| 515.3881-R004P | Washer                         | Unterlegscheibe                  | 1          |
| 515.3881-R005P | Valve stem                     | Ventilstift                      | 1          |
| 515.3881-R006P | Valve spring                   | Ventilfeder                      | 1          |
| 515.3881-R007P | Air inlet screw                | Lufteinlassschraube              | 1          |
| 515.3881-R008P | Trigger                        | Abzug                            | 1          |
| 515.3881-R009P | Rubber bumper                  | Dämpfungsfeder                   | 1          |
| 515.3881-R010P | O-Ring for cylinder            | O-Ring für Zylinder              | 4          |
| 515.3881-R011P | Cylinder sleeve                | Zylinderhülse                    | 1          |
| 515.3881-R012P | Valve block assembly           | Ventilblockeinheit               | 1          |
| 515.3881-R013P | Piston                         | Kolben                           | 1          |
| 515.3881-R014P | Cylinder                       | Zylinder                         | 1          |
| 515.3881-R015P | Repair kit for chisel retainer | Reparatursatz für Meißelaufnahme | 1          |
| 515.3881-R016P | Exhaust deflector              | Abluffführung                    | 1          |
| 515.3881-R017P | Collar                         | Verschlussring                   | 1          |