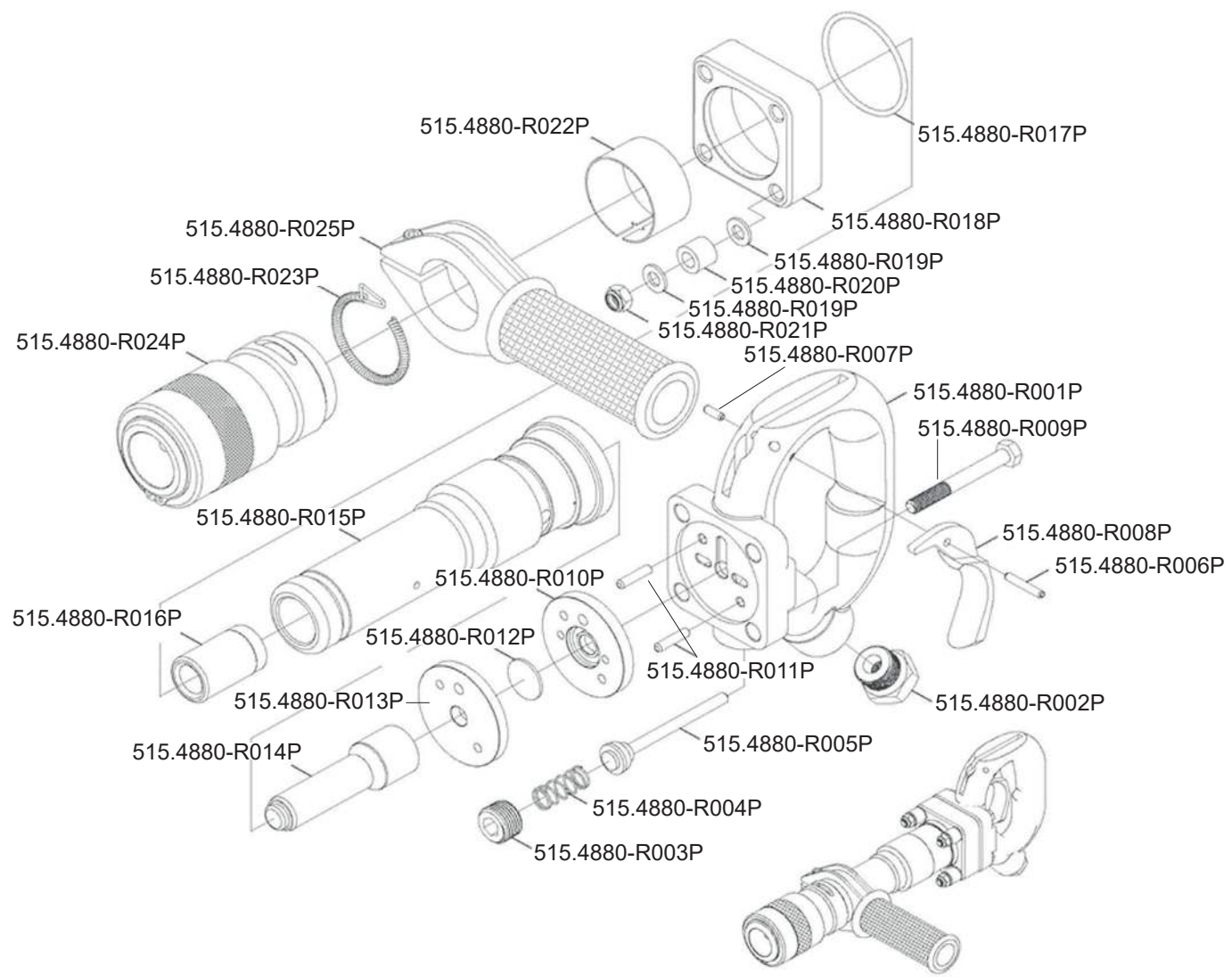


Art. 515.4480



**Art. 515.4480**

| Art.-Nr.       | Description           | Beschreibung               | Menge Qty. |
|----------------|-----------------------|----------------------------|------------|
| 515.4880-R001P | Handle                | Handgriff                  | 1          |
| 515.4880-R002P | Inlet bushing 3/8"    | Einlassadapter 3/8"        | 1          |
| 515.4880-R003P | Socket set screw 1/2" | Verschlusschraube 1/2"     | 1          |
| 515.4880-R004P | Valve spring          | Ventilfeder                | 1          |
| 515.4880-R005P | Valve stem            | Ventilbolzen               | 1          |
| 515.4880-R006P | Spring pin 4 x 26 mm  | Splint 4 x 26 mm           | 1          |
| 515.4880-R007P | Spring pin 4 x 12 mm  | Splint 4 x 12 mm           | 1          |
| 515.4880-R008P | Trigger               | Abzughebel                 | 1          |
| 515.4880-R009P | Handle bolt M8        | Schraube für Handgriff M 8 | 4          |
| 515.4880-R010P | Upper valve case      | Ventilplatte hinten        | 1          |
| 515.4880-R011P | Spring pin 5 x 22 mm  | Splint 5 x 22 mm           | 2          |
| 515.4880-R012P | Valve disc            | Ventilscheibe              | 1          |
| 515.4880-R013P | Lower valve case      | Ventilplatte vorne         | 1          |

| Art.-Nr.       | Description           | Beschreibung         | Menge Qty. |
|----------------|-----------------------|----------------------|------------|
| 515.4880-R014P | Piston                | Kolben               | 1          |
| 515.4880-R015P | Cylinder              | Zylinder             | 1          |
| 515.4880-R016P | Cylinder bushing      | Führungshülse 6-kant | 1          |
| 515.4880-R017P | O-Ring 55 x 3 mm      | O-Ring 55 x 3 mm     | 1          |
| 515.4880-R018P | Cylinder flange       | Zylinderflansch      | 1          |
| 515.4880-R019P | Washer                | Scheibe              | 8          |
| 515.4880-R020P | Muffler               | Dämpfer              | 4          |
| 515.4880-R021P | Nut M8                | Mutter M8            | 4          |
| 515.4880-R022P | Exhaust deflector     | Auspuff-Abweiser     | 1          |
| 515.4880-R023P | Lock spring           | Verschlussfeder      | 1          |
| 515.4880-R024P | Quick change Retainer | Schnellspannfutter   | 1          |
| 515.4880-R025P | Front handle          | Haltegriff           | 1          |