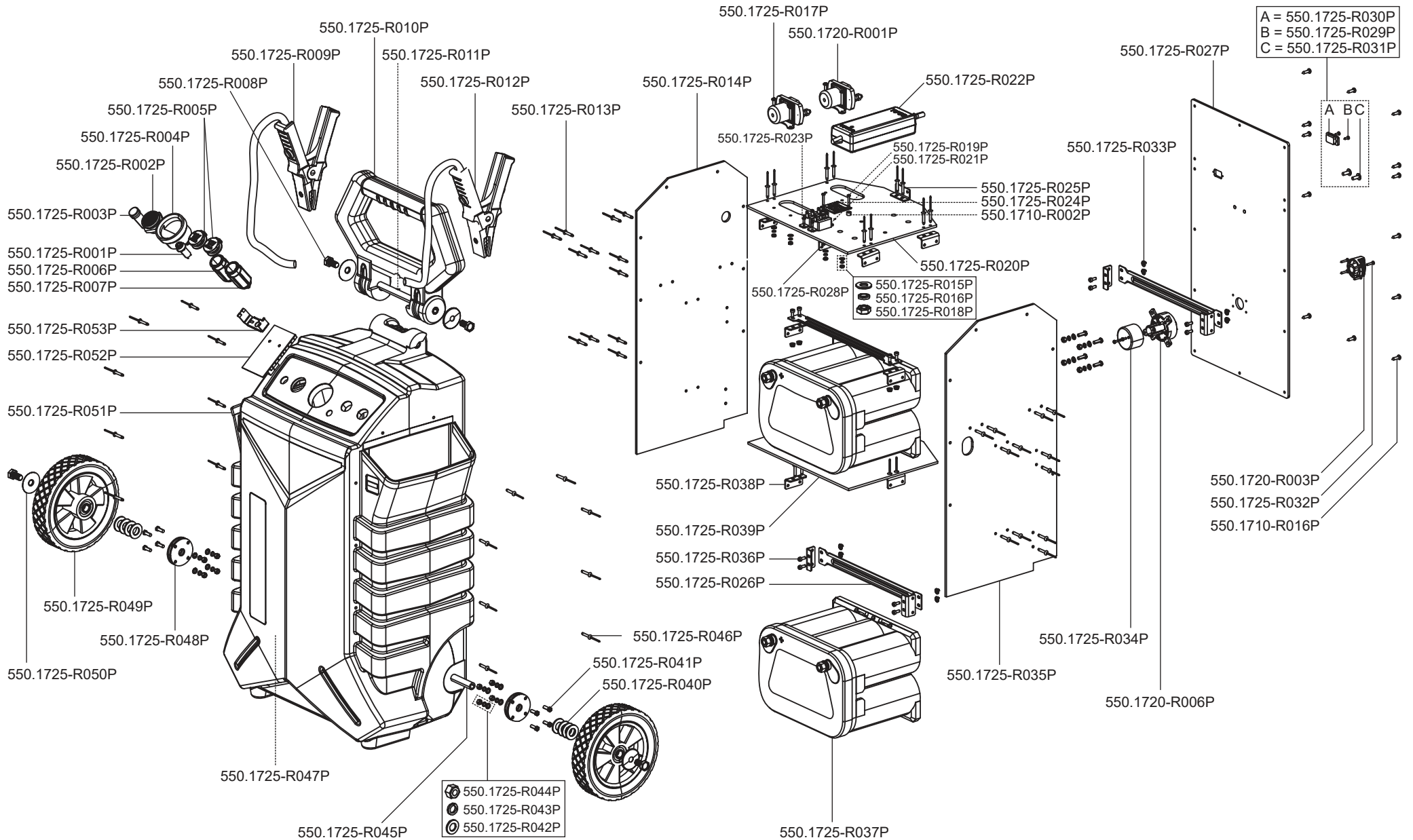


Art. 550.1725



Art. 550.1725

Art.-Nr.	Description	Beschreibung	Menge Qty.
550.1710-R002P	Spacer	Abstandsring	3
550.1710-R016P	Screw	Schraube	14
550.1720-R001P	Solenoid	Solenoid	2
550.1720-R003P	Switch cover	Schalter	1
550.1720-R006P	12/24V switch	12/24V Schalter	1
550.1725-R001P	Battery status button	Batterie-Status-Taste	1
550.1725-R002P	Buzzer	Summer	1
550.1725-R003P	LED	LED	1
550.1725-R004P	Voltmeter cover	Abdeckung Spannungsmesser	1
550.1725-R005P	Cigarette cover	Zigarettenanzünderabdeckung	2
550.1725-R006P	Cigarette socket positive	Zigarettenanzünderbuchse	2
550.1725-R007P	Cigarette socket negative	Zigarettenanzünderbuchse	2
550.1725-R008P	Screw M10×12	Griffschraube M10x12	4
550.1725-R009P	Cable and clamp(positive)	Kabel und Klemme Rot	1
550.1725-R010P	Handle	Griff	1
550.1725-R011P	Handle axes	Griffachse	1
550.1725-R012P	Cable and clamp(negative)	Kabel und Klemme Schwarz	1
550.1725-R013P	Rivet 4×16 mm	Niete 4x16 mm	38
550.1725-R014P	Internal clapboard(right)	Seitenpanel rechts	1
550.1725-R015P	Washer	Unterlegscheibe	4
550.1725-R016P	Washer	Unterlegscheibe	4
550.1725-R017P	Screw M4×25	Schraube für Solenoid	4
550.1725-R018P	Screw M4	Schraube M4	4
550.1725-R019P	Screw	Schraube	2
550.1725-R020P	Separated panel	Trennpanel	1
550.1725-R021P	Surge protector	Überspannungsschutz	2
550.1725-R022P	Charger	Ladegerät	1
550.1725-R023P	Screw	Schraube	2
550.1725-R024P	PCB	Platine	1

Art.-Nr.	Description	Beschreibung	Menge Qty.
550.1725-R025P	Bolster	Obere Panelstütze	1
550.1725-R026P	Battery panel	Batteriestütze	3
550.1725-R027P	Back cover	Rückseitenpanel	1
550.1725-R028P	Screw M3	Schraube M3	2
550.1725-R029P	Screw	Schraube für Ladebuchse	4
550.1725-R030P	Charging port	Ladebuchse	1
550.1725-R031P	Screw M5×14	Schraube M5x10	2
550.1725-R032P	Screw	Schraube für Schalter	5
550.1725-R033P	Nut M4	Mutter M4	12
550.1725-R034P	Switch protection cover	Schalter Schutzabdeckung	1
550.1725-R035P	Internal clapboard(left)	Seitenpanel links	1
550.1725-R036P	Screw M4×10	Schraube M4x10	12
550.1725-R037P	Battery	Batterie	2
550.1725-R038P	Bolster	Untere Panelstütze	12
550.1725-R039P	Panel	Batterietrennpanel	1
550.1725-R040P	Washer	Unterlegscheibe	8
550.1725-R041P	Screw M5×15	Schraube M5x15	12
550.1725-R042P	Washer	Unterlegscheibe	12
550.1725-R043P	Washer	Unterlegscheibe	12
550.1725-R044P	Nut M5	Mutter M5	12
550.1725-R045P	Wheel axes	Radachse	1
550.1725-R046P	Rivet 4×20 mm	Niete 4x20 mm	16
550.1725-R047P	Main housing	Gehäuse	1
550.1725-R048P	Stator	Stator	4
550.1725-R049P	Wheel	Rad	2
550.1725-R050P	Barrier chip	Unterlegscheibe	4
550.1725-R051P	Decorative rivet	Zierniete	1
550.1725-R052P	Charging PCB	Ladeplatine	1
550.1725-R053P	Voltmeter fixer	Befestigung Spannungsmesser	1