

# P10

**workshop tool trolley**  
with 180 tools for 4 drawers  
**810.4180**

---

**Workshop trolley P10**

with 8 compartments

873.0008

# THE ENTRY MODEL TO SATISFY HIGH STANDARDS



P10



**DUO Lock** Brilliant locking system



**Eight drawers** each load capacity up to 50 kg



Stable **ball bearing**



**Stainless steel surface**



**Lock** lockable



**Anti-static castors** with brakes



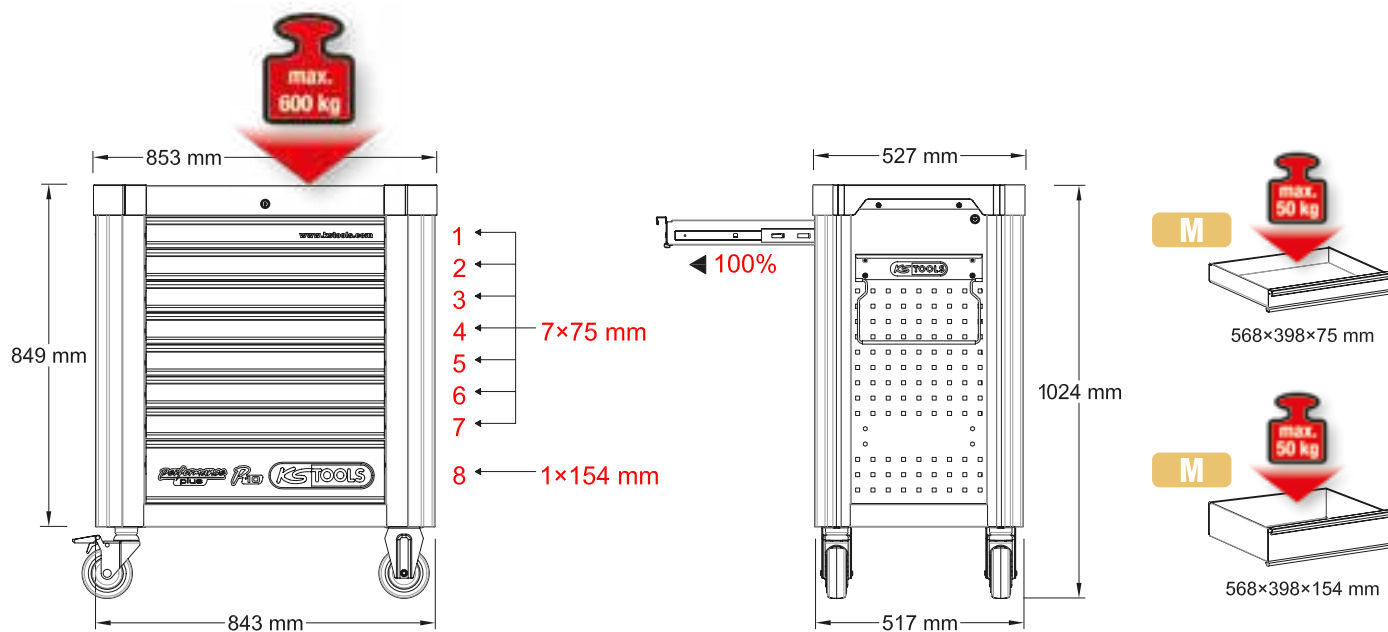
Integrated **corner protection**



**Paper roll holder** included



**Can holder** included

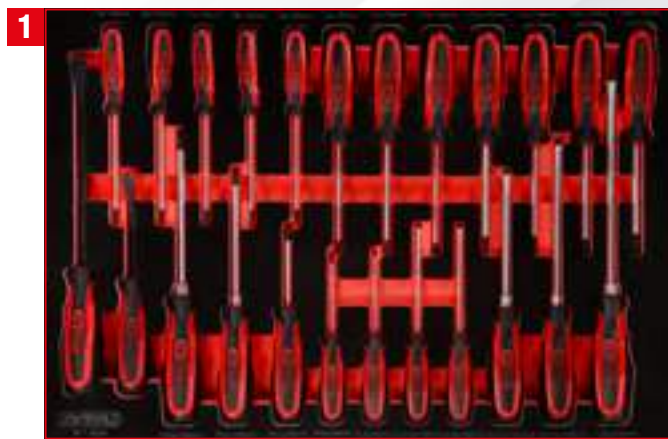


# P10 workshop tool trolley set with 180 tools for 4 drawers

810.4180

180

M



Screwdriver set in foam insert

811.0024

24



1/4" + 3/8" + 1/2" socket spanner set in foam insert

811.0092

92



Screw spanner set in foam insert

811.0031

31



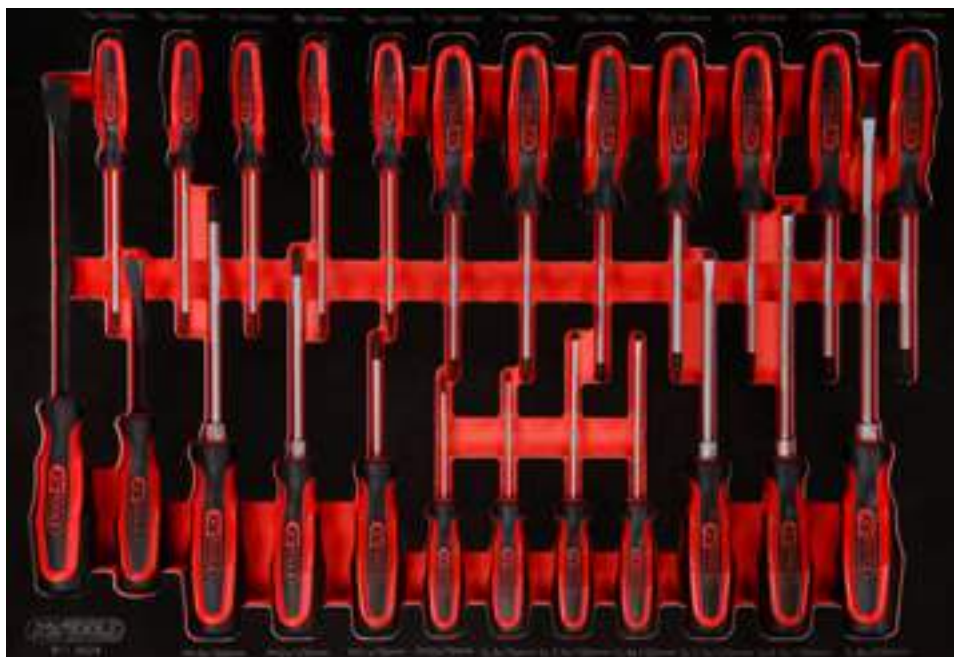
Pliers, hammer and chisel set in foam insert

811.0033

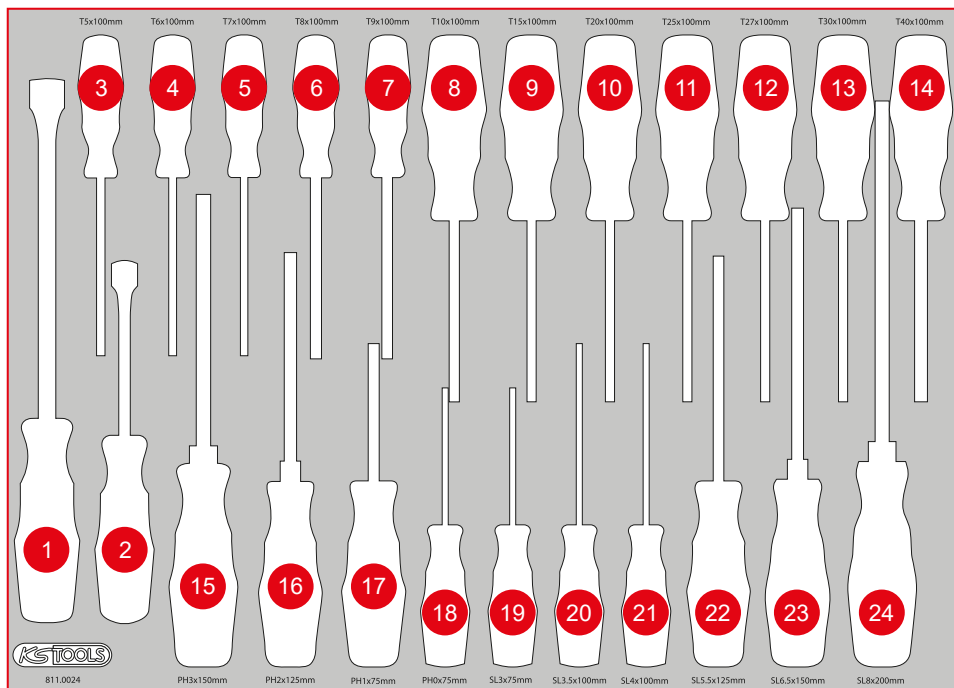
33

811.0024

**M** Screwdriver set



| Pos. | Code     | Description   | pcs |
|------|----------|---|-----|
| 1    | 911.8102 | Pry bar, 15 x 185 mm  | 1   |
| 2    | 911.8101 | Pry bar, 11 x 115 mm  | 1   |
| 3    | 159.1133 | ERGOTORQUEplus screwdriver, Torx, T5                          | 1   |
| 4    | 159.1134 | ERGOTORQUEplus screwdriver, Torx, T6                          | 1   |
| 5    | 159.1135 | ERGOTORQUEplus screwdriver, Torx, T7                          | 1   |
| 6    | 159.1030 | ERGOTORQUEplus screwdriver, Torx, T8                          | 1   |
| 7    | 159.1031 | ERGOTORQUEplus screwdriver, Torx, T9                          | 1   |
| 8    | 159.1032 | ERGOTORQUEplus screwdriver, Torx, T10                         | 1   |
| 9    | 159.1033 | ERGOTORQUEplus screwdriver, Torx, T15                         | 1   |
| 10   | 159.1034 | ERGOTORQUEplus screwdriver, Torx, T20                         | 1   |
| 11   | 159.1035 | ERGOTORQUEplus screwdriver, Torx, T25                         | 1   |
| 12   | 159.1036 | ERGOTORQUEplus screwdriver, Torx, T27                         | 1   |
| 13   | 159.1037 | ERGOTORQUEplus screwdriver, Torx, T30                         | 1   |
| 14   | 159.1038 | ERGOTORQUEplus screwdriver, Torx, T40                         | 1   |
| 15   | 159.1024 | ERGOTORQUEplus screwdriver, Torx, PH3, 265 mm                 | 1   |
| 16   | 159.1022 | ERGOTORQUEplus screwdriver, Torx, PH2, 230 mm                 | 1   |
| 17   | 159.1020 | ERGOTORQUEplus screwdriver, Torx, PH1, 180 mm                 | 1   |
| 18   | 159.1027 | ERGOTORQUEplus screwdriver, Torx, PH0, 155 mm                 | 1   |
| 19   | 159.1002 | ERGOTORQUEplus screwdriver for slotted screws, 3 mm, 155 mm   | 1   |
| 20   | 159.1112 | ERGOTORQUEplus screwdriver for slotted screws, 3,5 mm, 180 mm | 1   |
| 21   | 159.1004 | ERGOTORQUEplus screwdriver for slotted screws, 4 mm, 180 mm   | 1   |
| 22   | 159.1006 | ERGOTORQUEplus screwdriver for slotted screws, 5,5 mm, 230 mm | 1   |
| 23   | 159.1009 | ERGOTORQUEplus screwdriver for slotted screws, 6,5 mm, 255 mm | 1   |
| 24   | 159.1011 | ERGOTORQUEplus screwdriver for slotted screws, 8 mm, 315 mm   | 1   |

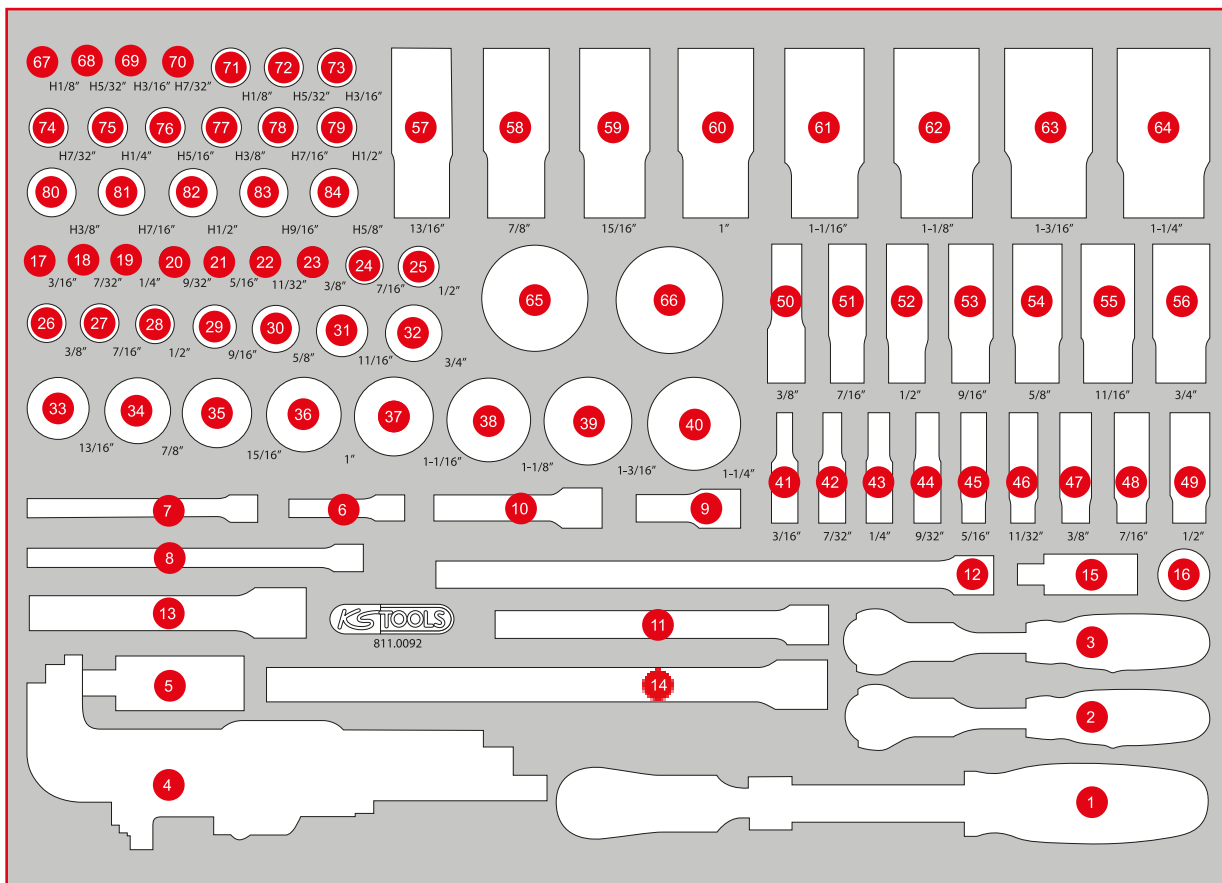


811.0092

**M** 1/4" + 3/8" + 1/2" Socket spanner set



| Pos. | Code     | Description  | pcs | Pos. | Code     | Description                                    | pcs | Pos. | Code     | Description                     | pcs |
|------|----------|--|-----|------|----------|--|-----|------|----------|---------------------------------|-----|
| 1    | 914.1220 | 1/2" SlimPOWER Telescopic reversible ratchet, 72 teeth             | 1   | 13   | 911.1202 | 1/2" Extensions, 125 mm                        | 1   | 28   | 911.4000 | 3/8" 12 Point socket, 1/2"      | 1   |
| 2    | 914.3815 | 3/8" MODIFIX mini T-handle swivel head ratchet, 72 teeth, 0° + 90° | 1   | 14   | 911.1203 | 1/2" Extensions, 250 mm                        | 1   | 29   | 911.4001 | 3/8" 12 Point socket, 9/16"     | 1   |
| 3    | 914.1405 | 1/4" MODIFIX mini T-handle swivel head ratchet, 72 teeth           | 1   | 15   | 911.3850 | 3/8" Universal joint                           | 1   | 30   | 911.4003 | 3/8" 12 Point socket, 5/8"      | 1   |
| 4    | 151.4520 | KBall ended hexagon key wrench set, extra long, 9 pcs, imperial    | 9   | 16   | 911.3826 | 3/8" Sliding / reducing adaptor, 1/2"F x 3/8"M | 1   | 31   | 911.4004 | 3/8" 12 Point socket, 11/16"    | 1   |
| 5    | 911.1250 | 1/2" Universal joint   | 1   | 17   | 917.1474 | 1/4" 12 Point socket, 3/16"                    | 1   | 32   | 911.4005 | 3/8" 12 Point socket, 3/4"      | 1   |
| 6    | 911.1423 | 1/4" Extension with hexagon drive, 50 mm                           | 1   | 18   | 917.1475 | 1/4" 12 Point socket, 7/32"                    | 1   | 33   | 917.1380 | 1/2" 12 Point socket, 13/16"    | 1   |
| 7    | 911.1424 | 1/4" Extension with hexagon drive, 100 mm                          | 1   | 19   | 917.1476 | 1/4" 12 Point socket, 1/4"                     | 1   | 34   | 917.1381 | 1/2" 12 Point socket, 7/8"      | 1   |
| 8    | 911.1451 | 1/4" Extension with hexagon drive, 150 mm                          | 1   | 20   | 917.1477 | 1/4" 12 Point socket, 9/32"                    | 1   | 35   | 917.1382 | 1/2" 12 Point socket, 15/16"    | 1   |
| 9    | 911.3852 | 3/8" Extension with knurling, 45 mm                                | 1   | 21   | 917.1478 | 1/4" 12 Point socket, 5/16"                    | 1   | 36   | 917.1383 | 1/2" 12 Point socket, 1"        | 1   |
| 10   | 911.3801 | 3/8" Extension with knurling, 75 mm                                | 1   | 22   | 917.1479 | 1/4" 12 Point socket, 11/32"                   | 1   | 37   | 917.1384 | 1/2" 12 Point socket, 1.1/16"   | 1   |
| 11   | 911.3802 | 3/8" Extension with knurling, 150 mm                               | 1   | 23   | 917.1480 | 1/4" 12 Point socket, 3/8"                     | 1   | 38   | 917.1385 | 1/2" 12 Point socket, 1.1/8"    | 1   |
| 12   | 911.3803 | 3/8" Extension with knurling, 250 mm                               | 1   | 24   | 917.1481 | 1/4" 12 Point socket, 7/16"                    | 1   | 39   | 917.1386 | 1/2" 12 Point socket, 1.3/16"   | 1   |
|      |          |  |     | 25   | 917.1482 | 1/4" 12 Point socket, 1/2"                     | 1   | 40   | 917.1387 | 1/2" 12 Point socket, 1.1/4"    | 1   |
|      |          |  |     | 26   | 917.3851 | 3/8" 12 Point socket, 3/8"                     | 1   | 41   | 917.1565 | 1/4" 12 Point socket deep 3/16" | 1   |
|      |          |  |     | 27   | 917.3852 | 3/8" 12 Point socket, 7/16"                    | 1   | 42   | 917.1566 | 1/4" 12 Point socket deep 7/32" | 1   |

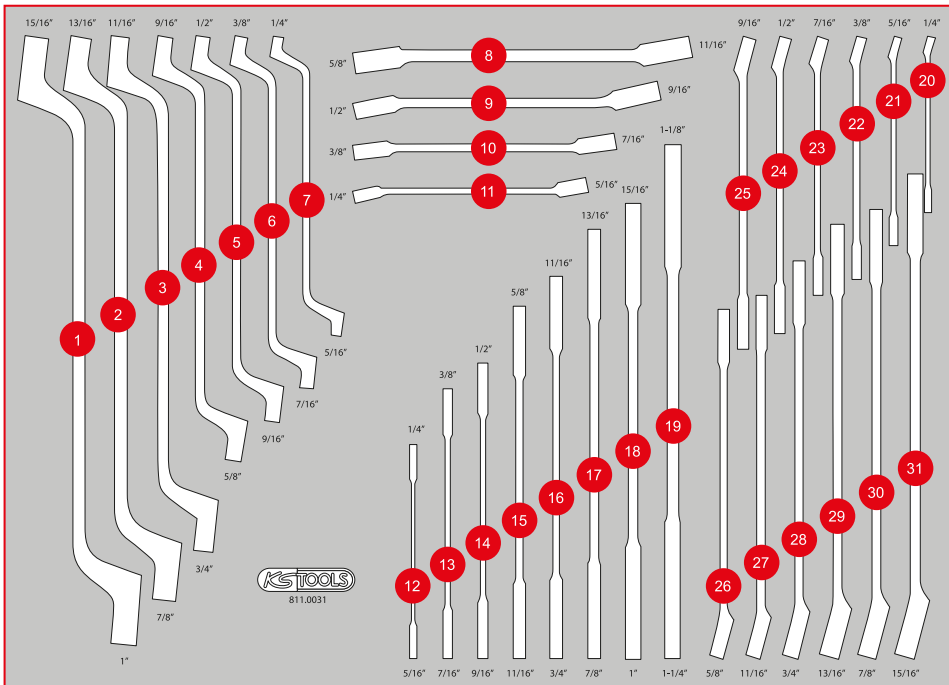


| Pos. | Code     | Description                        | pcs | Pos. | Code     | Description                                  | pcs | Pos. | Code     | Description                           | pcs |
|------|----------|------------------------------------|-----|------|----------|--|-----|------|----------|---------------------------------------|-----|
| 43   | 917.1567 | 1/4" 12 Point socket deep 1/4"     | 1   | 58   | 917.1283 | 1/2" 12 Point socket, deep, 7/8"             | 1   | 73   | 917.3963 | 3/8" Bit socket hexagon, 3/16"        | 1   |
| 44   | 917.1568 | 1/4" 12 Point socket deep 9/32"    | 1   | 59   | 917.1284 | 1/2" 12 Point socket, deep, 15/16"           | 1   | 74   | 917.3968 | 3/8" Bit socket hexagon, 7/32"        | 1   |
| 45   | 917.1569 | 1/4" 12 Point socket deep 5/16"    | 1   | 60   | 917.1289 | 1/2" 12 Point socket, deep, 1"               | 1   | 75   | 917.3964 | 3/8" Bit socket hexagon, 1/4"         | 1   |
| 46   | 917.1570 | 1/4" 12 Point socket deep 11/32"   | 1   | 61   | 917.5348 | 1/2" 12 Point socket, deep, 1.1/16"          | 1   | 76   | 917.3965 | 3/8" Bit socket hexagon, 5/16"        | 1   |
| 47   | 917.1571 | 1/4" 12 Point socket deep 3/8"     | 1   | 62   | 917.5349 | 1/2" 12 Point socket, deep, 1.1/8"           | 1   | 77   | 917.3966 | 3/8" Bit socket hexagon, 3/8"         | 1   |
| 48   | 917.1572 | 1/4" 12 Point socket deep 7/16"    | 1   | 63   | 917.5353 | 1/2" 12 Point socket, deep, 1.3/16"          | 1   | 78   | 917.3993 | 3/8" Bit socket hexagon, 7/16"        | 1   |
| 49   | 917.1573 | 1/4" 12 Point socket deep 1/2"     | 1   | 64   | 917.5351 | 1/2" 12 Point socket, deep, 1.1/4"           | 1   | 79   | 917.3994 | 3/8" Bit socket hexagon, 1/2"         | 1   |
| 50   | 917.3983 | 3/8" 12 Point socket, deep, 3/8"   | 1   | 65   | 914.3810 | Mini hand reversible ratchet, 3/8", 72 teeth | 1   | 80   | 917.1321 | 1/2" Bit socket hexagon, short, 3/8"  | 1   |
| 51   | 917.3984 | 3/8" 12 Point socket, deep, 7/16"  | 1   | 66   | 914.1410 | Mini hand reversible ratchet, 1/4", 72 teeth | 1   | 81   | 911.5387 | 1/2" Bit socket hexagon, short, 7/16" | 1   |
| 52   | 917.3985 | 3/8" 12 Point socket, deep, 1/2"   | 1   | 67   | 917.1440 | 1/4" Bit socket hexagon, 1/8"                | 1   | 82   | 917.1322 | 1/2" Bit socket hexagon, short, 1/2"  | 1   |
| 53   | 917.3986 | 3/8" 12 Point socket, deep, 9/16"  | 1   | 68   | 917.1441 | 1/4" Bit socket hexagon, 5/32"               | 1   | 83   | 917.1323 | 1/2" Bit socket hexagon, short, 9/16" | 1   |
| 54   | 917.3987 | 3/8" 12 Point socket, deep, 5/8"   | 1   | 69   | 917.1442 | 1/4" Bit socket hexagon, 3/16"               | 1   | 84   | 917.1324 | 1/2" Bit socket hexagon, short, 5/8"  | 1   |
| 55   | 917.3988 | 3/8" 12 Point socket, deep, 11/16" | 1   | 70   | 917.1443 | 1/4" Bit socket hexagon, 7/32"               | 1   |      |          |                                       |     |
| 56   | 917.3989 | 3/8" 12 Point socket, deep, 3/4"   | 1   | 71   | 917.3967 | 3/8" Bit socket hexagon, 1/8"                | 1   |      |          |                                       |     |
| 57   | 917.1282 | 1/2" 12 Point socket, deep, 13/16" | 1   | 72   | 917.3962 | 3/8" Bit socket hexagon, 5/32"               | 1   |      |          |                                       |     |

**M** Screw spanner set

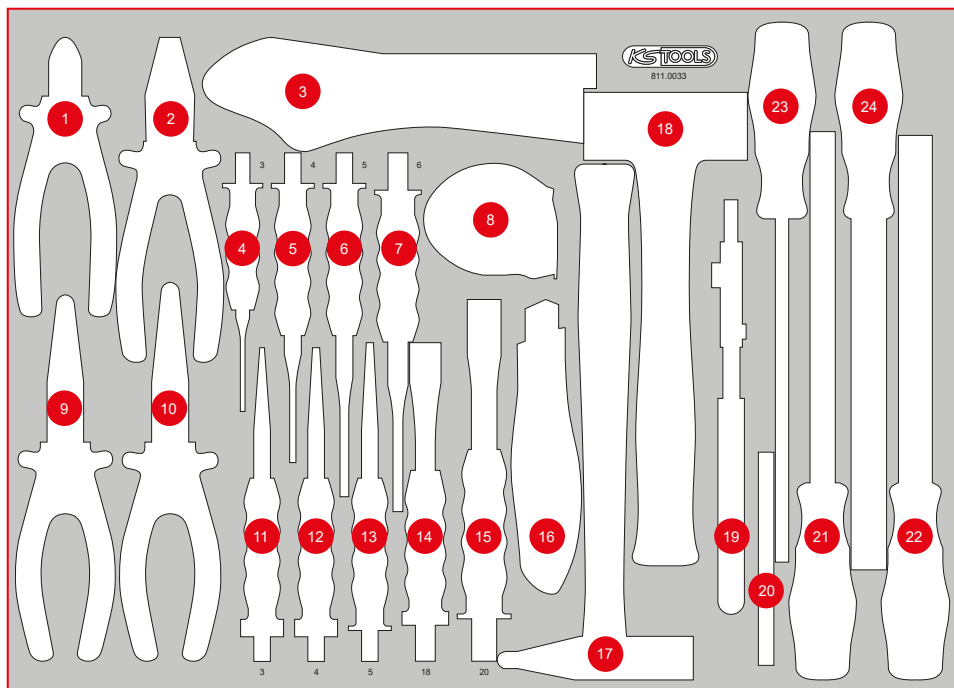


| Pos. | Code     | Description                                 | pcs |
|------|----------|---|-----|
| 1    | 517.0895 | Double ring spanner, offset, 15/16 x 1"     | 1   |
| 2    | 517.0894 | Double ring spanner, offset, 13/16 x 7/8"   | 1   |
| 3    | 517.0889 | Double ring spanner, offset, 11/16 x 3/4"   | 1   |
| 4    | 517.0887 | Double ring spanner, offset, 9/16 x 5/8"    | 1   |
| 5    | 517.0885 | Double ring spanner, offset, 1/2 x 9/16"    | 1   |
| 6    | 517.0883 | Double ring spanner, offset, 3/8 x 7/16"    | 1   |
| 7    | 517.0881 | Double ring spanner, offset, 1/4 x 5/16"    | 1   |
| 8    | 517.9268 | CLASSIC flare nut spanner, 5/8" x 11/16"    | 1   |
| 9    | 517.9267 | CLASSIC flare nut spanner, 1/2" x 9/16"     | 1   |
| 10   | 517.9266 | CLASSIC flare nut spanner, 3/8" x 7/16"     | 1   |
| 11   | 517.9265 | CLASSIC flare nut spanner, 1/4" x 5/16"     | 1   |
| 12   | 517.0781 | Double open ended spanners, 1/4 x 5/16"     | 1   |
| 13   | 517.0783 | Double open ended spanners, 3/8 x 7/16"     | 1   |
| 14   | 517.0785 | Double open ended spanners, 1/2 x 9/16"     | 1   |
| 15   | 517.0788 | Double open ended spanners, 5/8 x 11/16"    | 1   |
| 16   | 517.0789 | Double open ended spanners, 11/16 x 3/4"    | 1   |
| 17   | 517.0794 | Double open ended spanners, 13/16 x 7/8"    | 1   |
| 18   | 517.0795 | Double open ended spanners, 15/16 x 1"      | 1   |
| 19   | 517.0774 | Double open ended spanners, 1.1/8" x 1.1/4" | 1   |
| 20   | 517.1901 | Combination spanners, offset, 1/4"          | 1   |
| 21   | 517.1902 | Combination spanners, offset, 5/16"         | 1   |
| 22   | 517.1903 | Combination spanners, offset, 3/8"          | 1   |
| 23   | 517.1904 | Combination spanners, offset, 7/16"         | 1   |
| 24   | 517.1951 | Combination spanners, offset, 1/2"          | 1   |
| 25   | 517.1906 | Combination spanners, offset, 9/16"         | 1   |
| 26   | 517.1907 | Combination spanners, offset, 5/8"          | 1   |
| 27   | 517.1908 | Combination spanners, offset, 11/16"        | 1   |
| 28   | 517.1909 | Combination spanners, offset, 3/4"          | 1   |
| 29   | 517.1912 | Combination spanners, offset, 13/16"        | 1   |
| 30   | 517.1913 | Combination spanners, offset, 7/8"          | 1   |
| 31   | 517.1914 | Combination spanners, offset, 15/16"        | 1   |



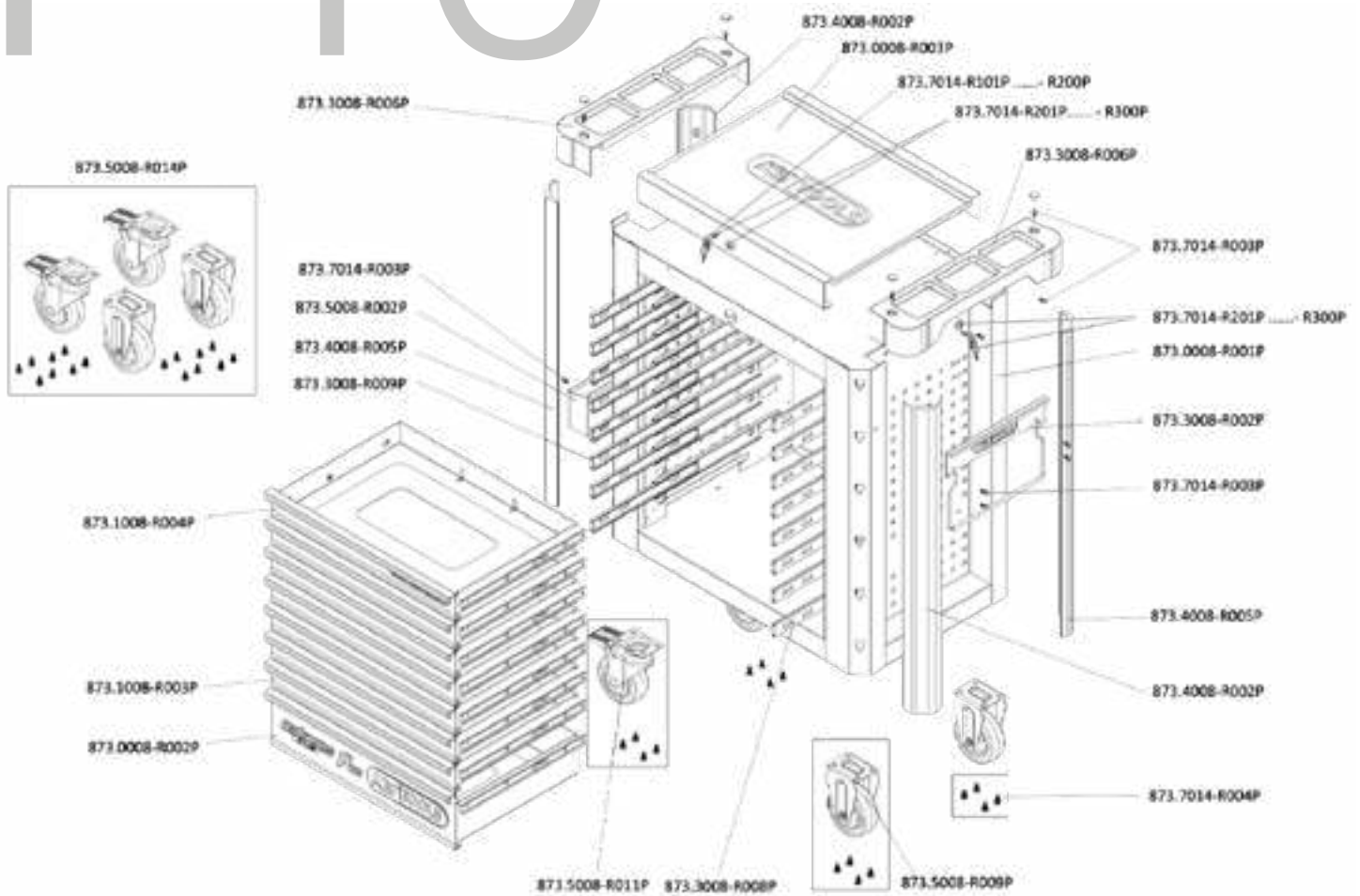
811.0033

**M** Pliers, Hammer and chisel set



| Pos. | Code     | Description   | pcs |
|------|----------|---|-----|
| 1    | 115.1012 | ERGOTORQUE diagonal side cutter, 160 mm                               | 1   |
| 2    | 115.1021 | ERGOTORQUE combination pliers, 180 mm                                 | 1   |
| 3    | 115.1033 | Self grip wrench, 220 mm  | 1   |
| 4    | 156.0231 | Pin punch, Ø 3 mm, cylindrical shaft                                  | 1   |
| 5    | 156.0232 | Pin punch, Ø 4 mm, cylindrical shaft                                  | 1   |
| 6    | 156.0233 | Pin punch, Ø 5 mm, cylindrical shaft                                  | 1   |
| 7    | 156.0234 | Pin punch, Ø 6 mm, cylindrical shaft                                  | 1   |
| 8    | 300.0114 | Tape measure with locking device and belt clip, black red, 5 m, 19 mm | 1   |
| 9    | 115.1019 | ERGOTORQUE bent nose pliers serrated, 210 mm                          | 1   |
| 10   | 115.1024 | ERGOTORQUE long nose pliers serrated cutter, 200 mm                   | 1   |
| 11   | 156.0237 | Punch, Ø 3 mm, conical  | 1   |
| 12   | 156.0238 | Punch, Ø 4 mm, conical  | 1   |
| 13   | 156.0244 | Punch, Ø 5 mm, conical  | 1   |
| 14   | 156.0254 | Flat chisel, octagon, 18 mm   | 1   |
| 15   | 156.0241 | Flat chisel, octagon, 20 mm   | 1   |
| 16   | 907.2135 | Universal snap off blade knife 18 mm                                  | 1   |
| 17   | 142.1402 | Fitters Hammer, fibreglas handle, 400 g                               | 1   |
| 18   | 142.5101 | Club Hammer, fibreglas handle, 1000 g                                 | 1   |
| 19   | 115.2010 | Water pump pliers, 240 mm   | 1   |
| 20   | 907.2166 | Snap off blades 0,5 x 1,8 x 100 mm, dispenser with 10 pieces          | 10  |
| 21   | 157.0405 | Tri-bastard file, form C, cut 2, 200 mm                               | 1   |
| 22   | 157.0105 | Halfround file, form E, cut 2, 20 mm                                  | 1   |
| 23   | 157.0205 | Round file, form F, cut 2, 200 mm                                     | 1   |
| 24   | 157.0005 | Flat file, form B, cut 2, 200 mm                                      | 1   |

# P10



## INDIVIDUAL PARTS LIST

| Item No.          | Description  | Amount |
|-------------------|--|--------|
| 873.7014-R101P... | Replacement key for PERFORMANCEplus workshop trolley lock number xyz                         | 2      |
| 873.7014-R201P... | Lock with 2 keys for PERFORMANCEplus workshop trolley lock number xyz                        | 2      |
| 873.0008-R001P    | Body with handle   | 1      |
| 873.0008-R002P    | Compartment with logo and ball-bearing guide, 568x398x145 mm                                 | 1      |
| 873.0008-R003P    | Stainless steel worktop  | 1      |
| 873.1008-R003P    | Compartment with ball-bearing guide, for workshop trolley P10/P10TC/P15, 568x398x65 mm       | 6      |
| 873.1008-R004P    | Compartment with website and ball-bearing guide, for workshop trolley P10/P15, 568x398x65 mm | 1      |
| 873.3008-R002P    | Paper roll holder for PERFORMANCEplus workshop trolley                                       | 1      |
| 873.3008-R006P    | Storage for work surface   | 2      |
| 873.3008-R008P    | Full extension (with ball-bearing guide) with automatic retraction                           | 8      |
| 873.3008-R009P    | Full extension (with ball-bearing guide) with automatic retraction                           | 8      |
| 873.4008-R002P    | Plastic bumpers  | 2      |
| 873.4008-R005P    | Plastic bumpers  | 2      |
| 873.5008-R002P    | Can holder for PERFORMANCEplus workshop trolley  | 1      |
| 873.5008-R009P    | Fixed castors for PERFORMANCEplus workshop trolley, incl. screws                             | 2      |
| 873.5008-R011P    | Swivel castors with brakes, for PERFORMANCEplus workshop trolley, incl. screws               | 2      |
| 873.5008-R014P    | Roller set for PERFORMANCEplus workshop trolley, incl. screws                                | 1      |
| 873.7014-R003P    | M6x12 screws for PERFORMANCEplus workshop trolley accessories                                | 14     |
| 873.7014-R004P    | M8 screws for PERFORMANCEplus workshop trolley rollers (16 pcs.)                             | 1      |



**873.7014-R101P...R200P**  
Replacement key for lock number xyz



**873.7014-R201P...R300P**  
Lock with 2 keys for lock number xyz



**873.3008-R008P**  
Full extension (with ball-bearing guide) with automatic retraction, right



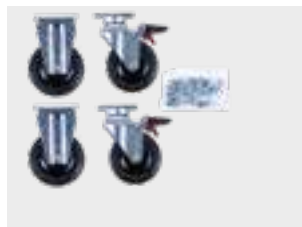
**873.3008-R009P**  
Full extension (with ball-bearing guide) with automatic retraction, left



**873.5008-R009P**  
Fixed castors, incl. screws



**873.5008-R011P**  
Swivel castors with brakes, incl. screws



**873.5008-R014P**  
Roller set, incl. screws



**873.0008-R003P**  
Stainless steel work surface



**873.3008-R006P**  
Storage for work surface, including screw cover, usable on both sides



**873.1008-R004P**  
Compartment with website and ball-bearing guide, 568x398x65 mm



**873.1008-R003P**  
Compartment with ball-bearing guide, 568x398x65 mm



**873.0008-R002P**  
Compartment with logo and ball-bearing guide, 568x398x145 mm



**873.5008-R002P**  
Can holder, 310 mm



**873.3008-R002P**  
Paper roll holder, 320 mm



**873.4008-R005P**  
Plastic bumpers, front left, back right



**873.4008-R002P**  
Plastic bumpers, front right, back left



**873.7014-R004P**  
M8 screws (16 pcs.)



**873.7014-R003P**  
M6x12 screw (1 pcs.)



**873.0008-R001P**  
Body with handle



A thousand great parts for tough guys!

